

SPRINGFIELD 36

DIRECT VENT GAS FIREPLACE



Springfield 36 shown with an Arched Mission Screen front in Vintage Bronze with optional LedgeStone refractory

QUALITY FIREPLACES FOR LIFE.

KOZY  HEAT
FIREPLACES

SPRINGFIELD 36

Fireplace brochures are for advertising purposes only. Refer to the specific fireplace manual for installation.

Specifications

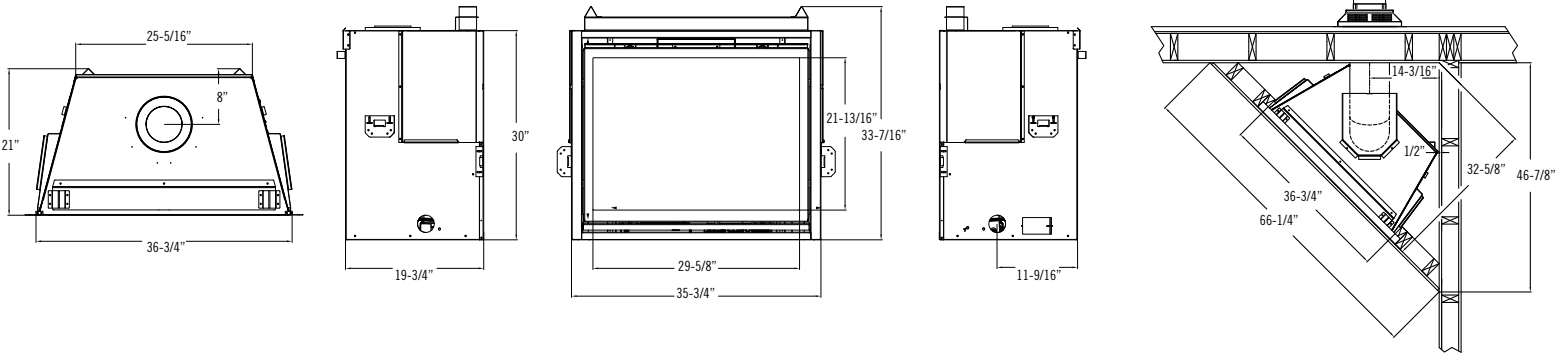
TOP

LEFT SIDE

FRONT

RIGHT SIDE

CORNER



Fronts

37"

37"



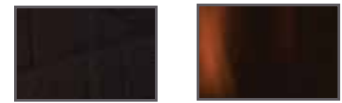
30-1/4"



Full Rectangle Screen Front
with optional Brick Refractory
Screen Front available in Black

Arched Mission in Vintage Bronze
with optional Black Glass panels
Screen Front available in Vintage Bronze

Optional Refractory



Black Brick

Black Glass

Springfield 36 comes standard with black firebox

Remote Control



Clearances

Model	Springfield 36
From Fireplace Top to 3/4 Trim	4"
From Unit Left & Right Sides & Back Standoffs	0"
From Fireplace Corners	1/2"
From Appliance Front	36"
Fireplace Bottom Standoffs to Flooring	0"
Fireplace Top to Ceiling	29-1/4"
Fireplace Enclosure Floor to 3/4" Trim	35"
Fireplace Enclosure Floor to Combustible Mantel 4" Maximum Depth	37"
Unit side to adjacent parallel sidewall	6"
Minimum Height of Fireplace Enclosure	59-1/4"

Model	Springfield 36
Height	30"
Width	35-3/4"
Back Width	25-5/16"
Depth	19-3/4"
Weight	210 lbs
Viewing Area	29-5/8" x 21-13/16"
BTU NG High / Low	35,000 / 18,000
BTU LP High / Low	35,000 / 18,000
ENERGUIDE P.4 NG / LP	77.5% / 76.86%
Steady State NG / LP	79.55% / 78.43%
AFUE % NG / LP	73.88% / 72.16%
Valve System	IPI
Optional Refractory/Panels	Ledgestone, Traditional Brick, Black Brick, Black Glass
Ceramic Glass	Standard
Fan Kit	Standard
Ember Bed Lighting	Standard
Screen Front	Required

Burn Video



Refer to the installation manuals for complete installation & venting requirements. See additional mantel clearance configurations in the installation manual.

Features, Options & Specifications are subject to change.

Each unit factory tested

Certified to ANSI Z21.88 Vented Gas Heaters

Heat Management Options

Model	Springfield 36
Interior Heat Transfer Kit	Optional
Exterior Heat Transfer Kit	Optional

In order to continually provide the highest quality product available, features/options, specifications, & dimensions are subject to change. Flame appearance and characteristics may be affected by altitude, fuel type, venting configuration, and other factors. Refer to the unit installation manual for complete installation instructions. Installation must conform with local building codes. In some regions it may be possible that this appliance qualifies for an energy rebate. See your local dealer for details regarding promotions and qualifications.

Manufactured by Husson Mfg. Co., Inc.
204 Industrial Park Road, Lakefield, MN 56150
Phone 1-800-253-4904 www.kozyheat.com 11-20-23



Product Line:



For complete information on the Kozy Heat product line, please contact us at:

FOR CALIFORNIA RESIDENTS ONLY

California Proposition 65 Warning

WARNING: This product can expose you to chemicals including Carbon Monoxide, that is an externally vented by-product of fuel combustion, which is [are] known to the State of California to cause birth defects or other reproductive harm. For more information, visit www.P65Warnings.ca.gov.